



---

UNDERCOUNTER REFRIGERATOR / FREEZER

RFT-186MC-S

# PARTS LIST

[HS]

T426-V000

Q-1 DEC. 2025

T426-5845 (0126)

Product Code	Spec
--------------	------

RFT-186MC-S	
-------------	--

T426-V000	FOR HS; 50Hz
-----------	--------------

## AUXILIARY CODE

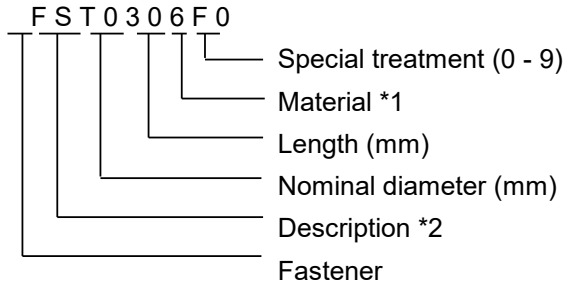
U - 1

The auxiliary code is the first two characters in the serial number. The first character indicates the production year. Years progress or regress in alphabetical order. The series of letters and skipped letters depend on UL listing, production, and model. See the auxiliary code(s) and corresponding year(s) on the front cover.

The second character indicates significant part changes within the same year. Base is "1" and this number advances for each change. If there is no significant part change at the turn of the year, this number starts from "0."

## FASTENER PART NUMBER

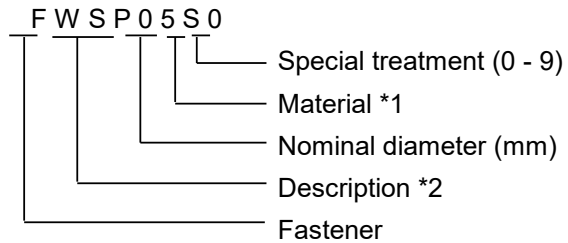
### SCREWS



\*<sub>1</sub> Material

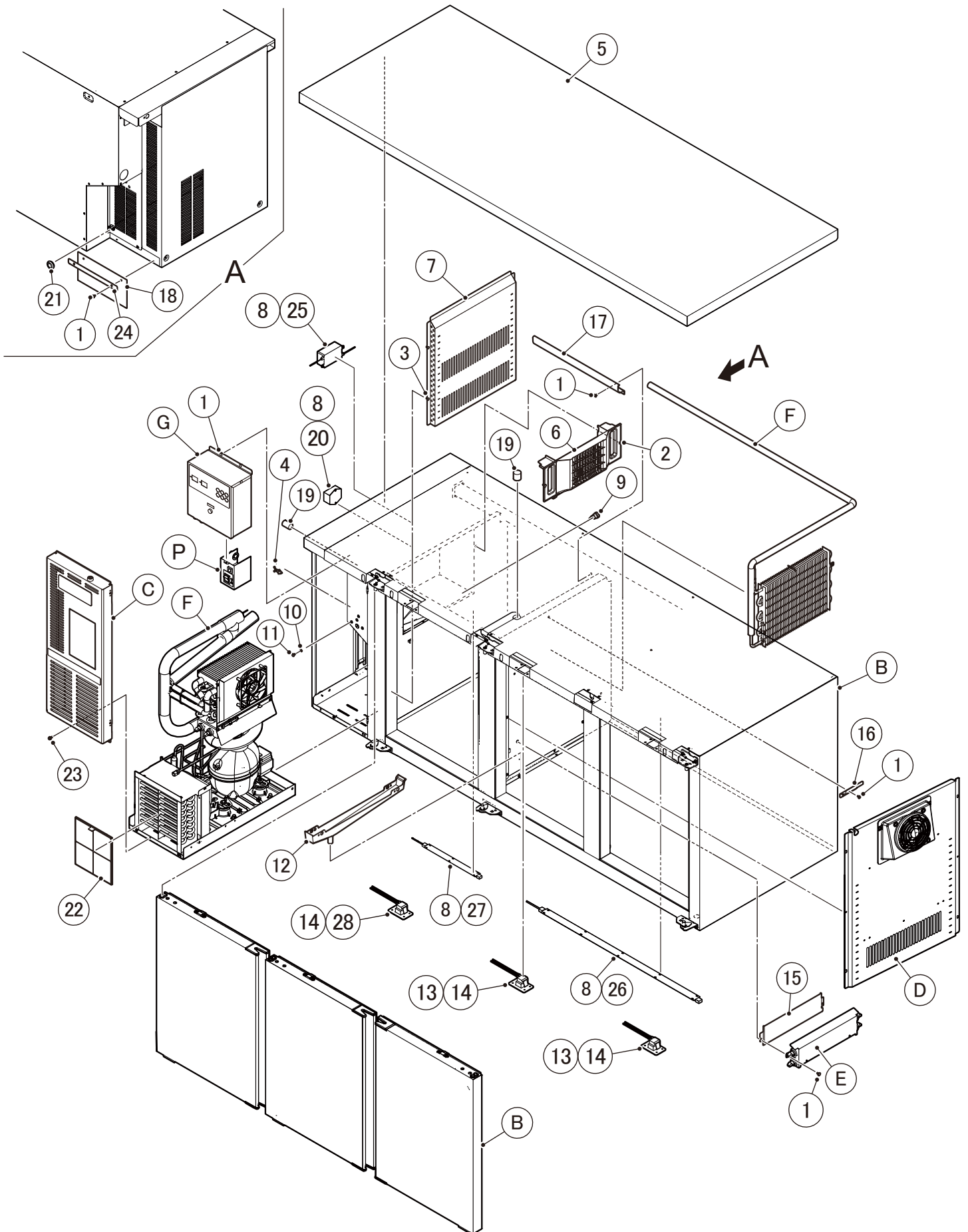
F: Steel  
S: Austenitic stainless steel  
M: Martensitic stainless steel  
B: Copper alloy  
P: Polycarbonate  
N: Polyamide  
V: PVC  
A: ABS  
X: Polyacetal  
L: Aluminum

### NUTS & WASHERS



\*<sub>2</sub> Description

First letter  
S: Machine screw  
T: Tapping screw  
M: Wood screw  
B: Bolt  
W: Washer  
N: Nut



MODEL: RFT-186MC-S

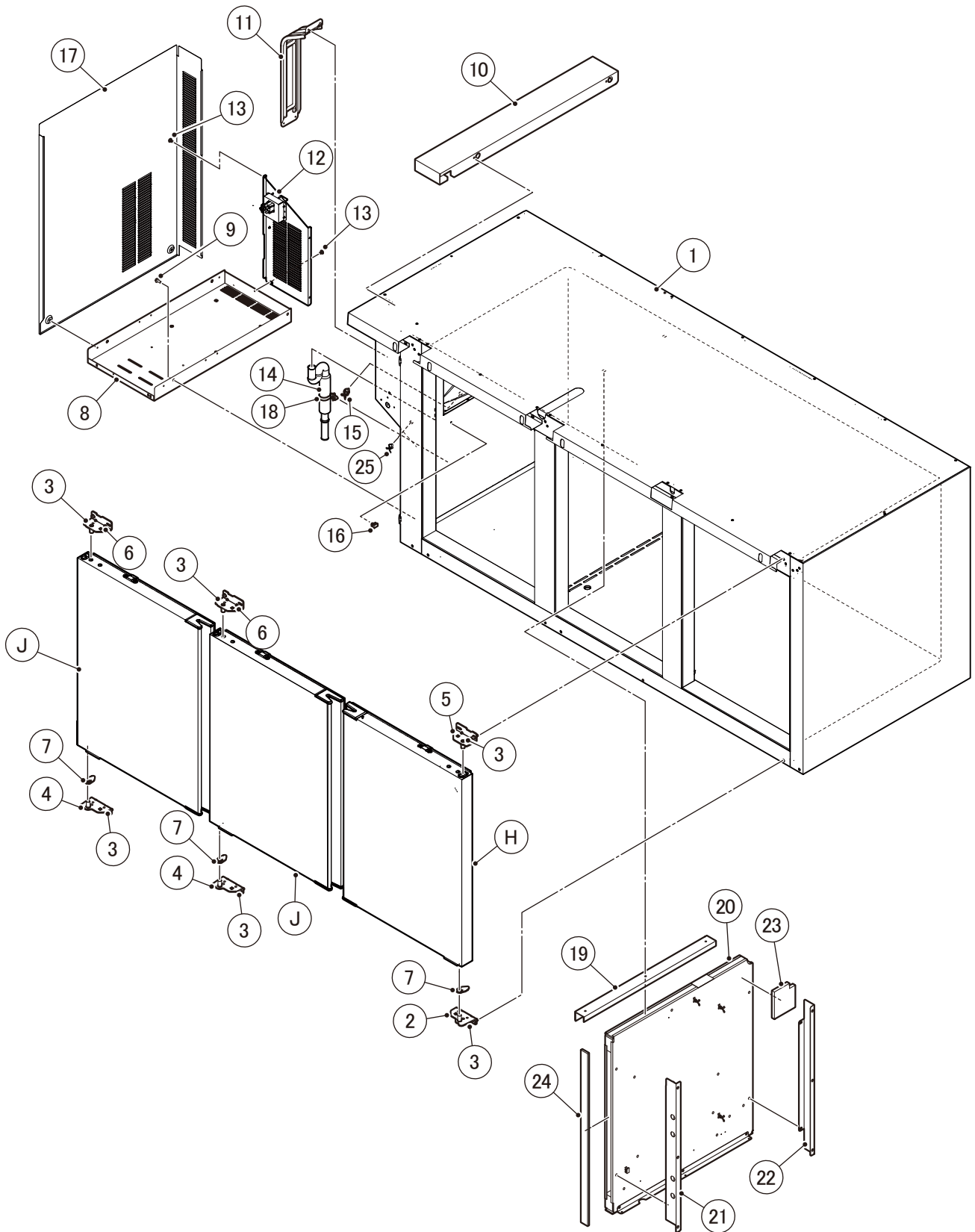
TITLE: A. REFRIGERATOR ASSY

INDEX NO.	DESCRIPTION	MATERIAL OR MODEL NUMBER	PART NUMBER	REQ'D NUMBER						
				Q-1 and later						
B	BODY ASSY		1C1213A01	1						
C	FRONT PANEL ASSY		3Z4547A04	1						
D	DUCT R, ASSY		3C1552A02	1						
E	HEATER ASSY		3C1556A01	1						
F	REFRIGERATION UNIT		1C1056A03	1						
G	CONTROL BOX ASSY		2C1883A02	1						
M	LABEL LOCATION		-	1						
N	ACCESSORIES		-	1						
P	SWITCH BOX AY		2C2326A01	1						
1	T2 TRUSS HEAD SCREW		FT20408M0	25						
2	TRUSS HEAD TAPPING SCREW T1		FT10410M0	2						
3	T1 TRUSS HEAD SCREW		FT10408M0	4						
4	WIRE RETAINER		427902-03	1						
5	TOP PANEL		2C1543M03	1						
6	DUCT		1C0469G01	1						
7	DUCT B		3S3562G02	1						
8	PAN HEAD SCREW SW		FSK0308S0	16						
9	BUSHING		428394-03	1						
10	SPRING WASHER		FWSP04S0	4						
11	TRUSS HEAD SCREW		FST0408S0	4						
12	DRAIN PAN		2R1938P02	1						
13	SWITCH BOX		3C1288G01	1						
14	S-TITE TRUSS HEAD SCREW		FTS0406M0	12						
15	COVER - HEATER		3C1768M01	1						
16	BRACKET B - PIPE		4C0860M01	1						
17	COVER A - HEAT EXCHANGER		3C2008G03	1						
18	SHEET - UNIT		4R6240P02	1						
19	INSULATION		4R5835Z01	8						
20	NOISE FILTER		3C0369G01	1						
21	GROMMET		410666-05	1						
22	AIR FILTER		390731G01	1						
23	THUMBSCREW		428833-01	1						
24	BRACKET - SHEET		4R6935M01	1						
25	SWITCHING REGULATOR		P05002-01	1						
26	LED LAMP		P05001-03	1						
27	LED LAMP		P05001-04	1						

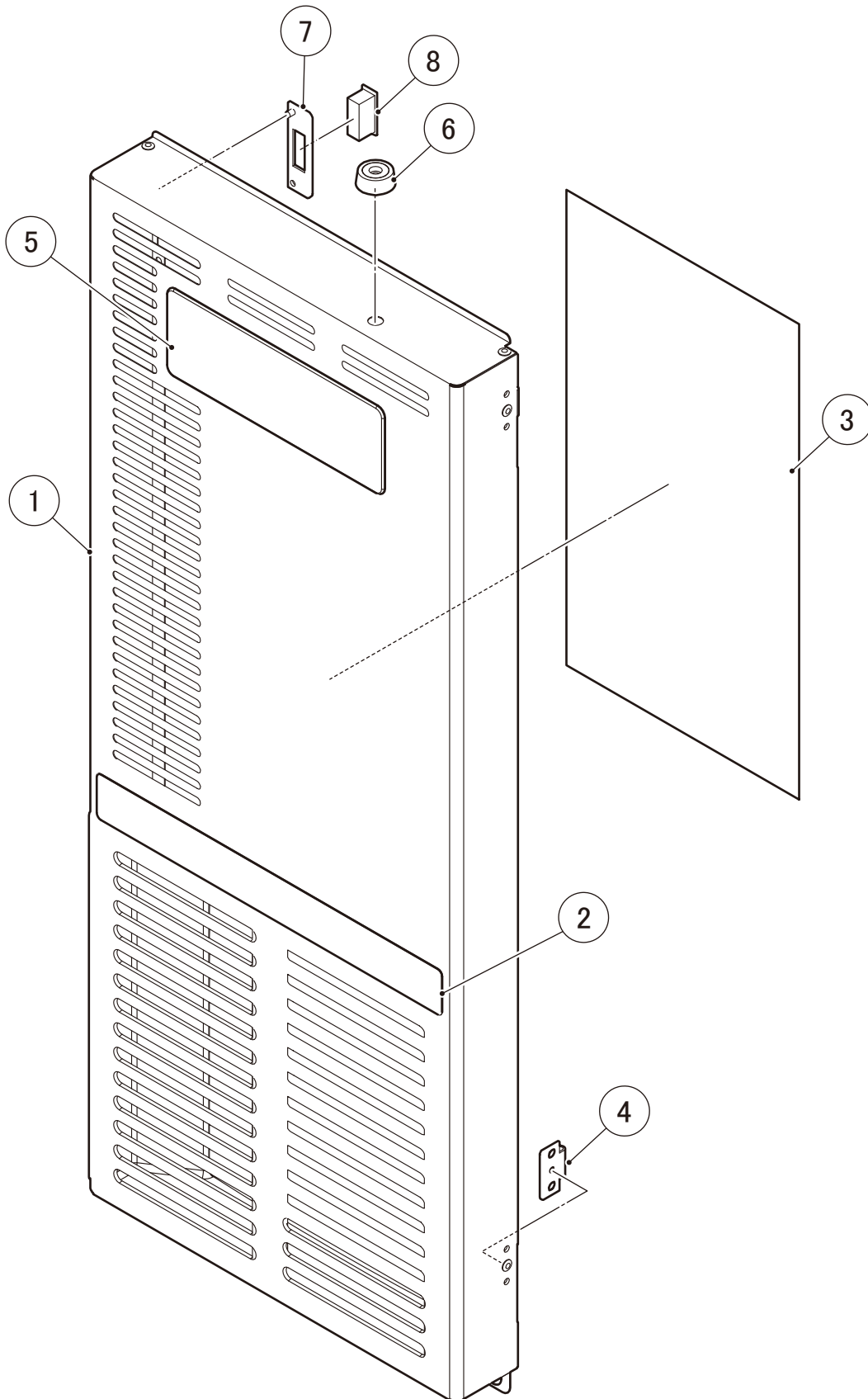
MODEL: **RFT-186MC-S**

TITLE: **A. REFRIGERATOR ASSY**

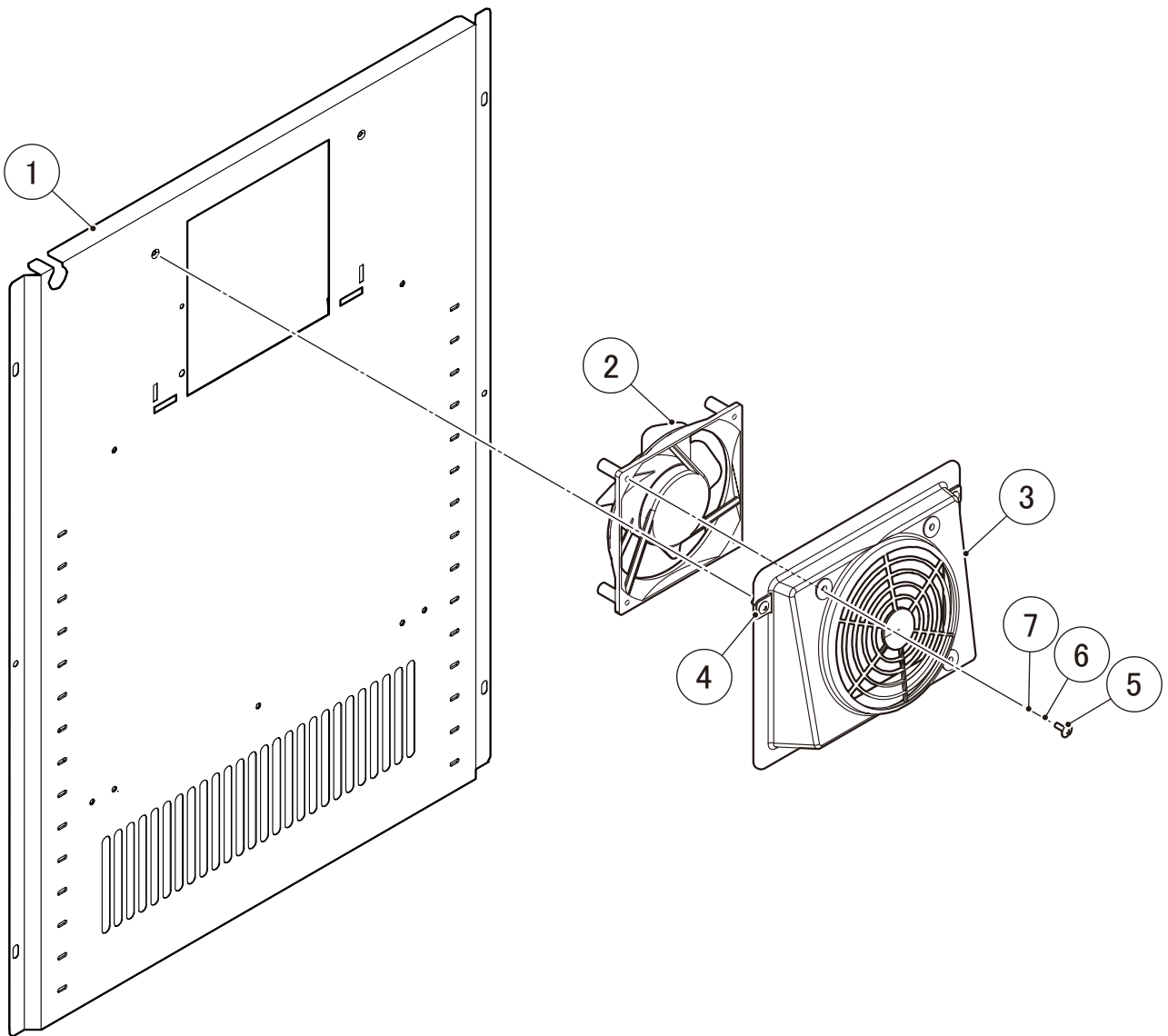
INDEX NO.	DESCRIPTION	MATERIAL OR MODEL NUMBER	PART NUMBER	REQ'D NUMBER						
				Q-1 and later						
28	SWITCH BOX		3C2054G01	2						



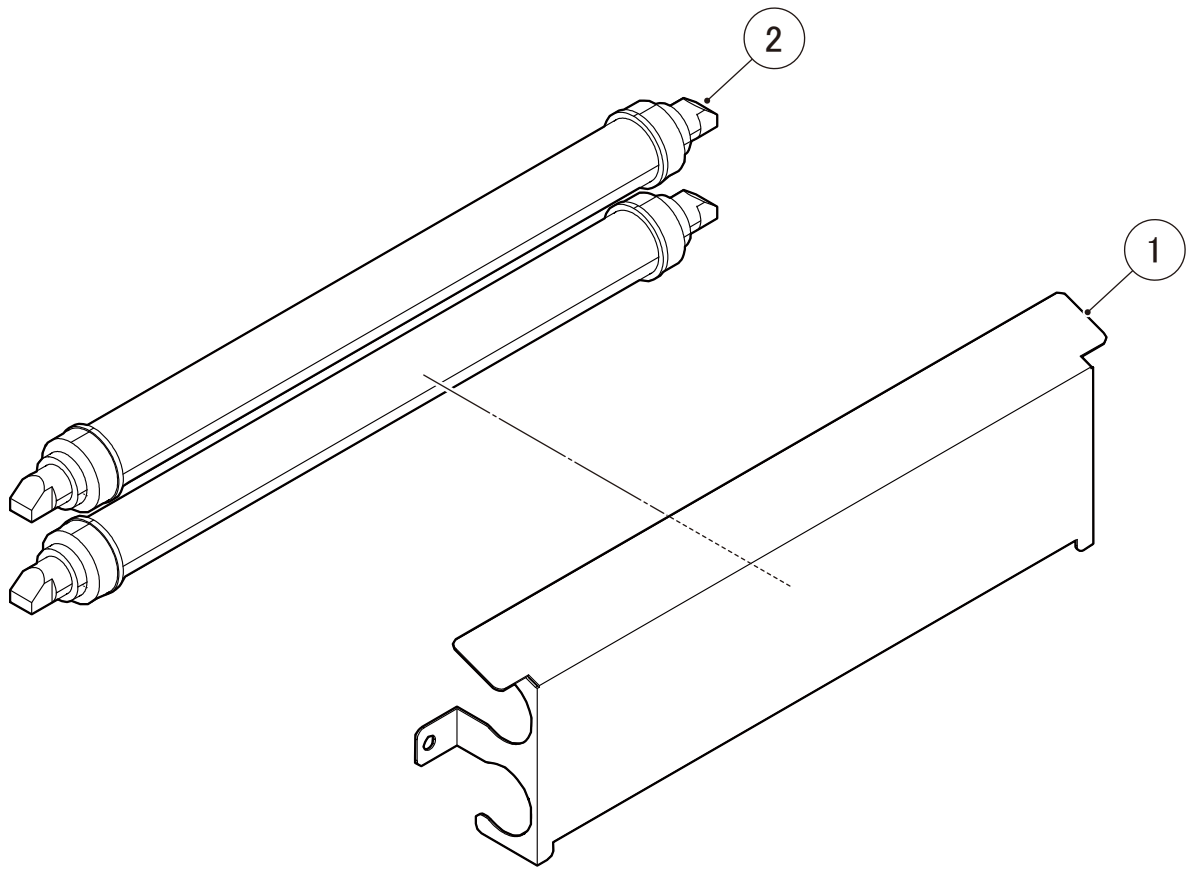




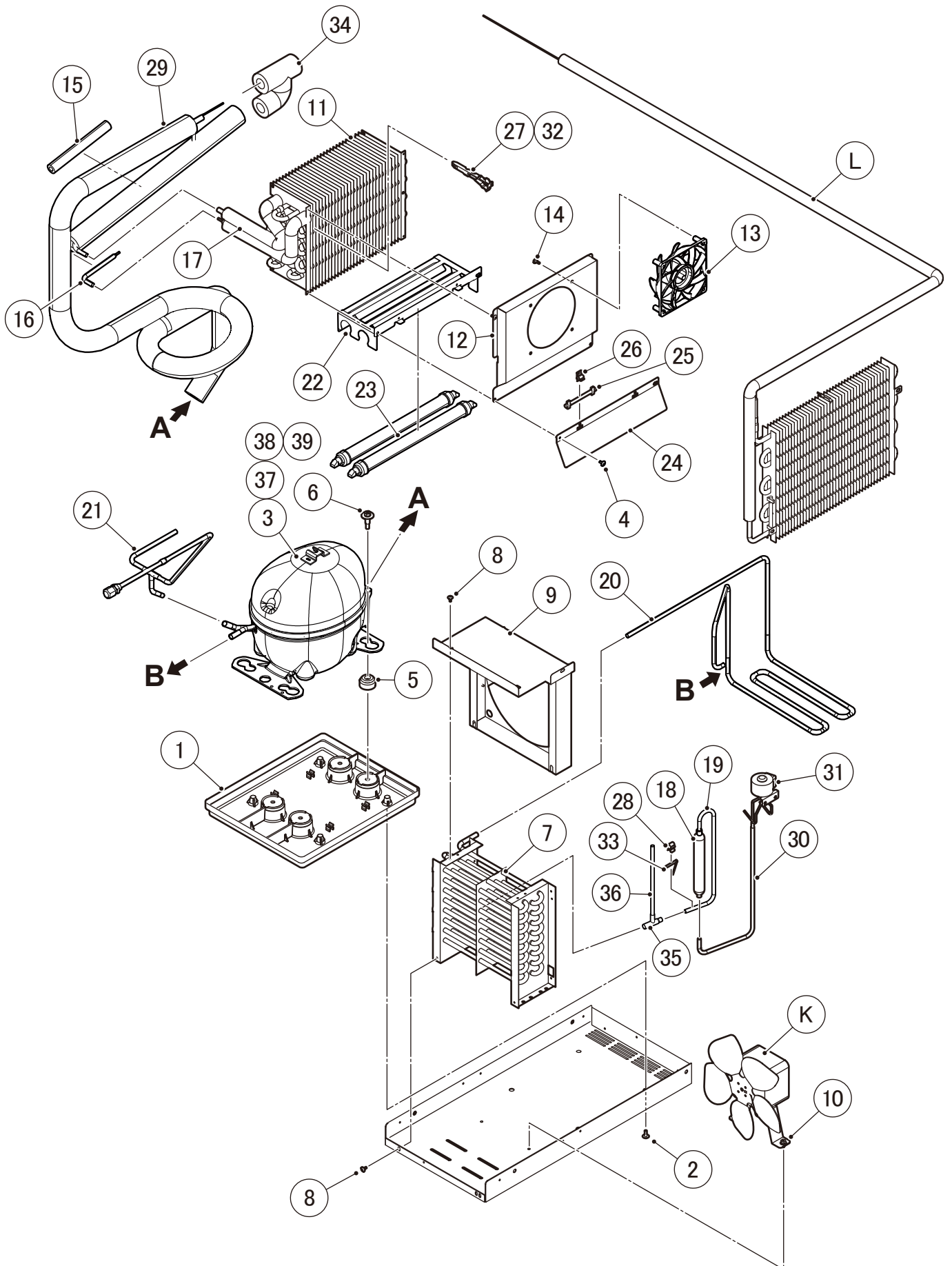










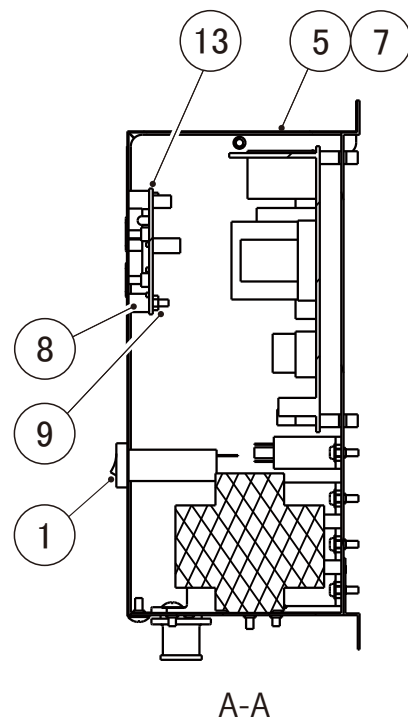
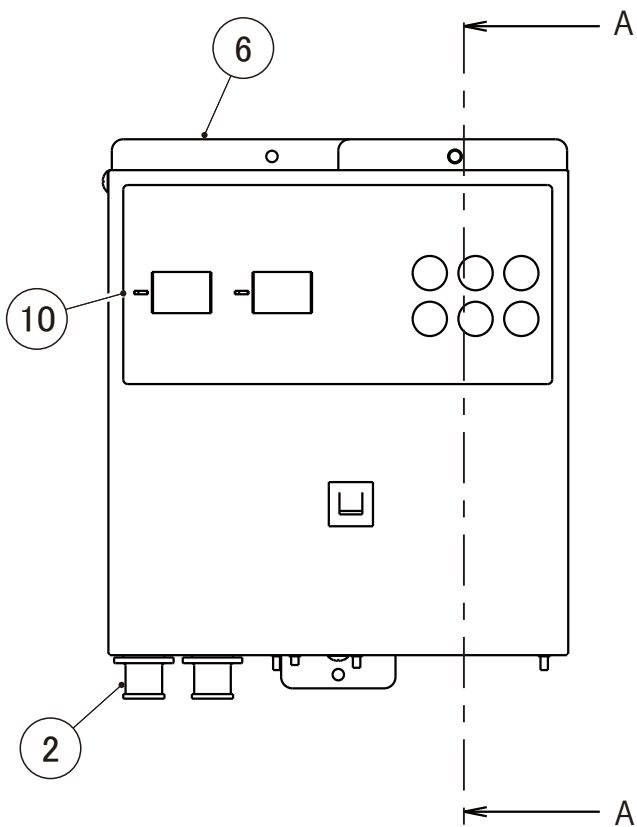
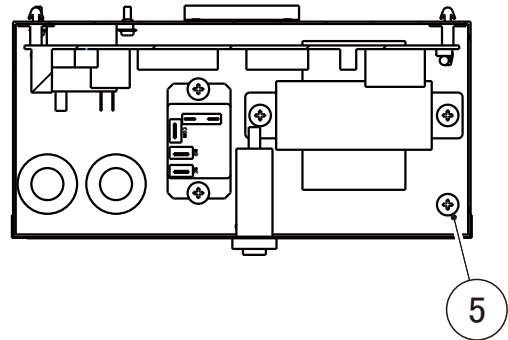
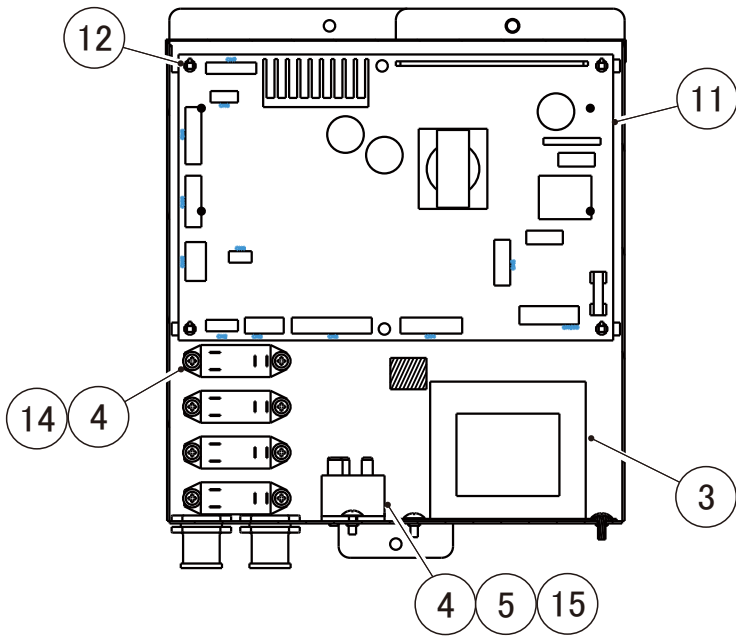




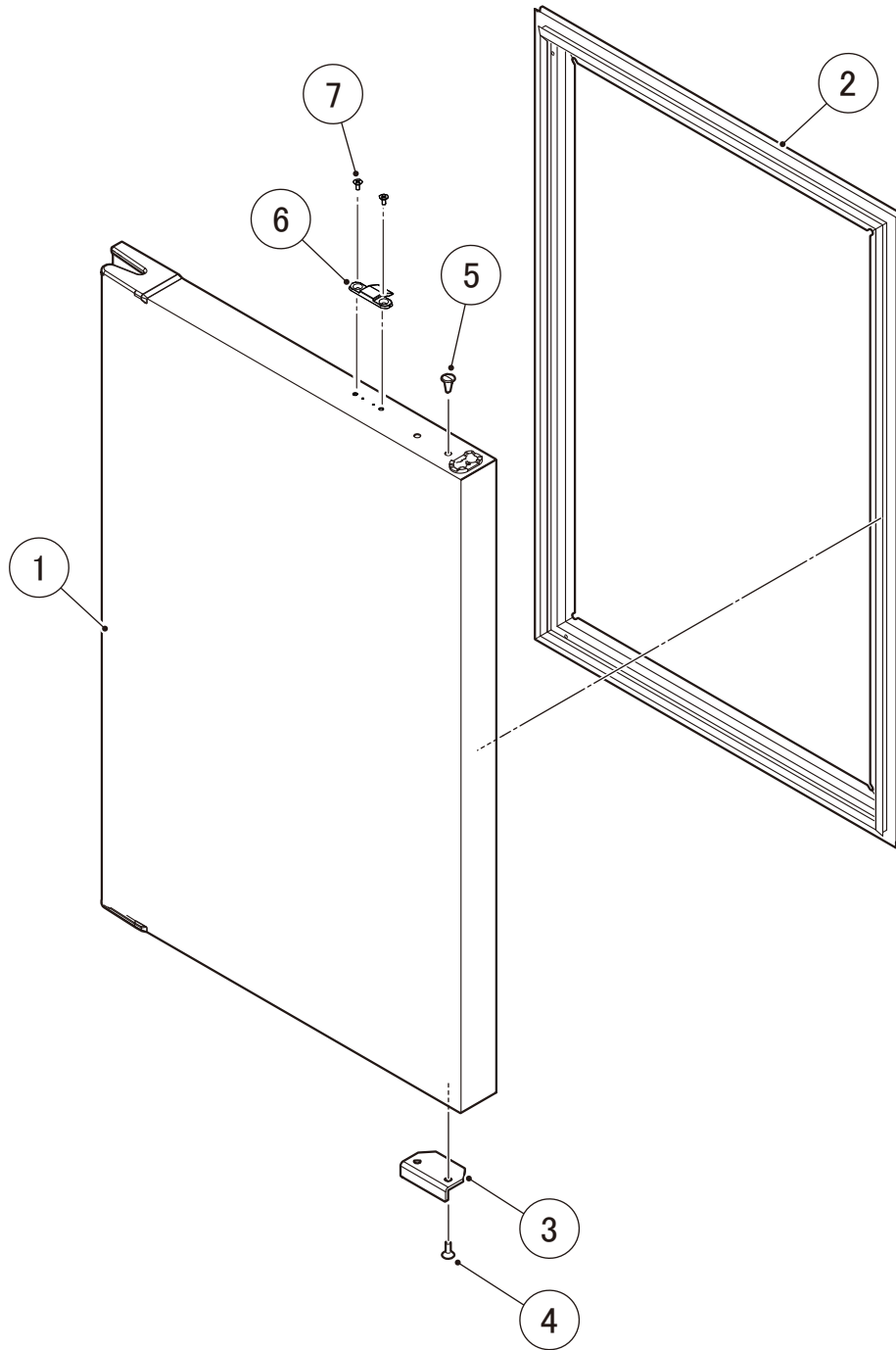
MODEL: **RFT-186MC-S**

TITLE: **F. REFRIGERATION UNIT**

INDEX NO.	DESCRIPTION	MATERIAL OR MODEL NUMBER	PART NUMBER	REQ'D NUMBER						
				Q-1 and later						
35	TEE		420041-03	1						
36	PIPE A		4H1294-03	1						
37	RELAY COVER		P07088-01	1						
38	CABLE FASTENER		P07183-01	1						
39	SCREW		P07184-01	1						



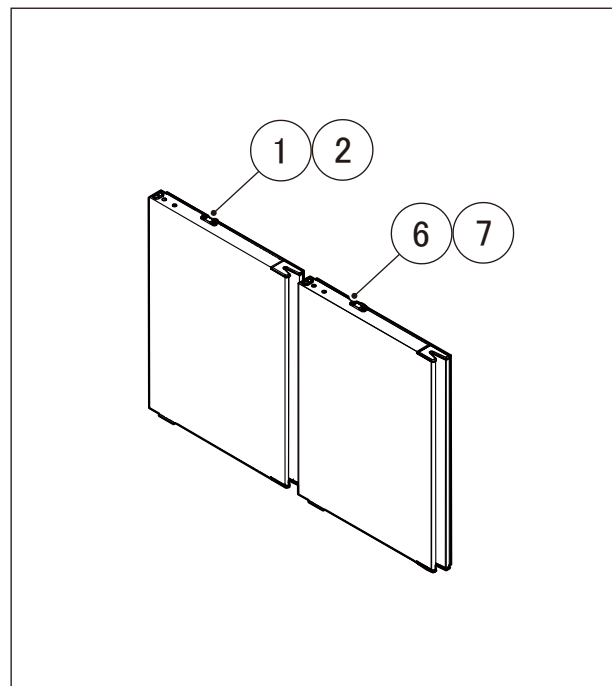
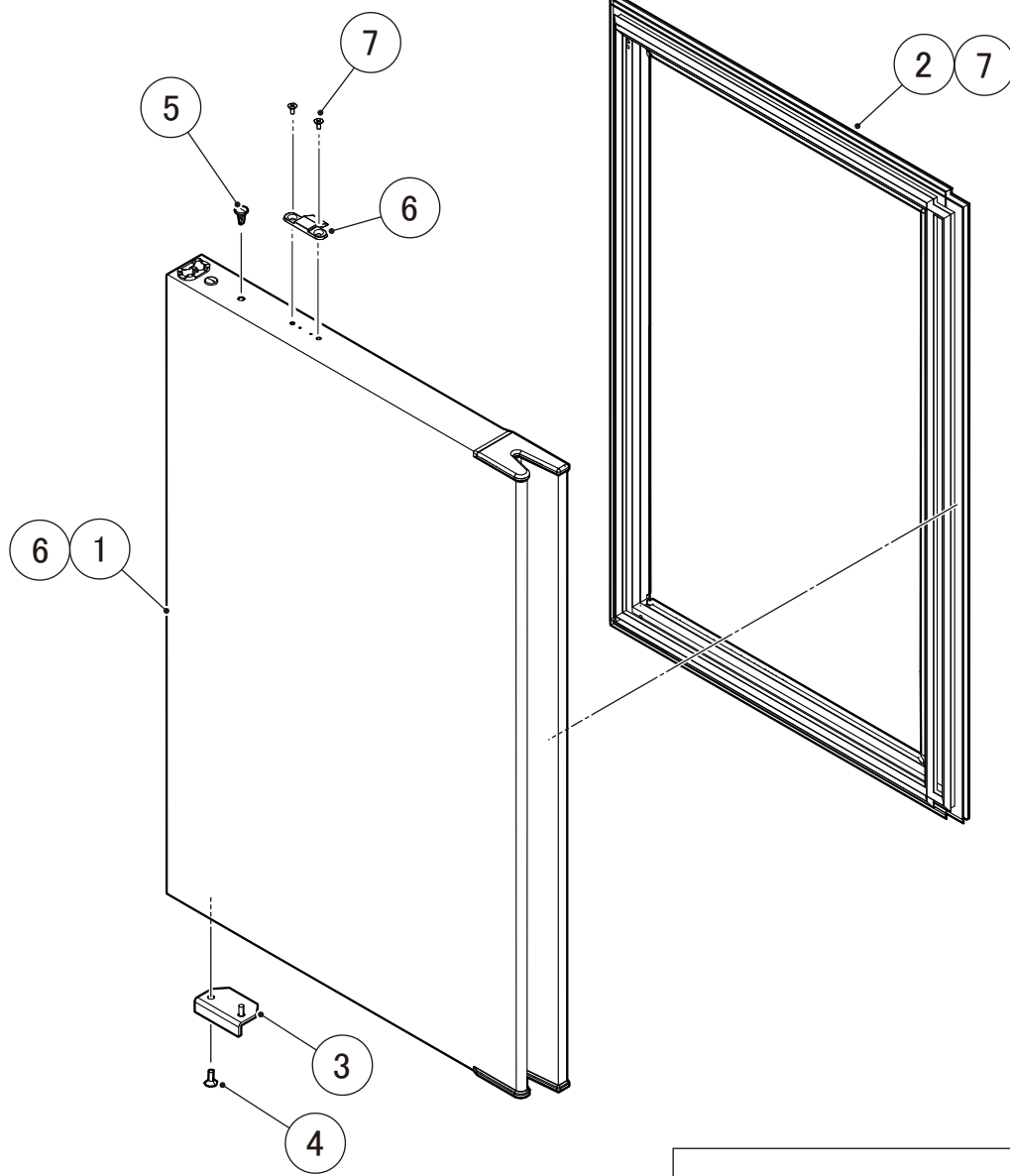




MODEL: **RFT-186MC-S**

TITLE: **H. DOOR R, ASSY**

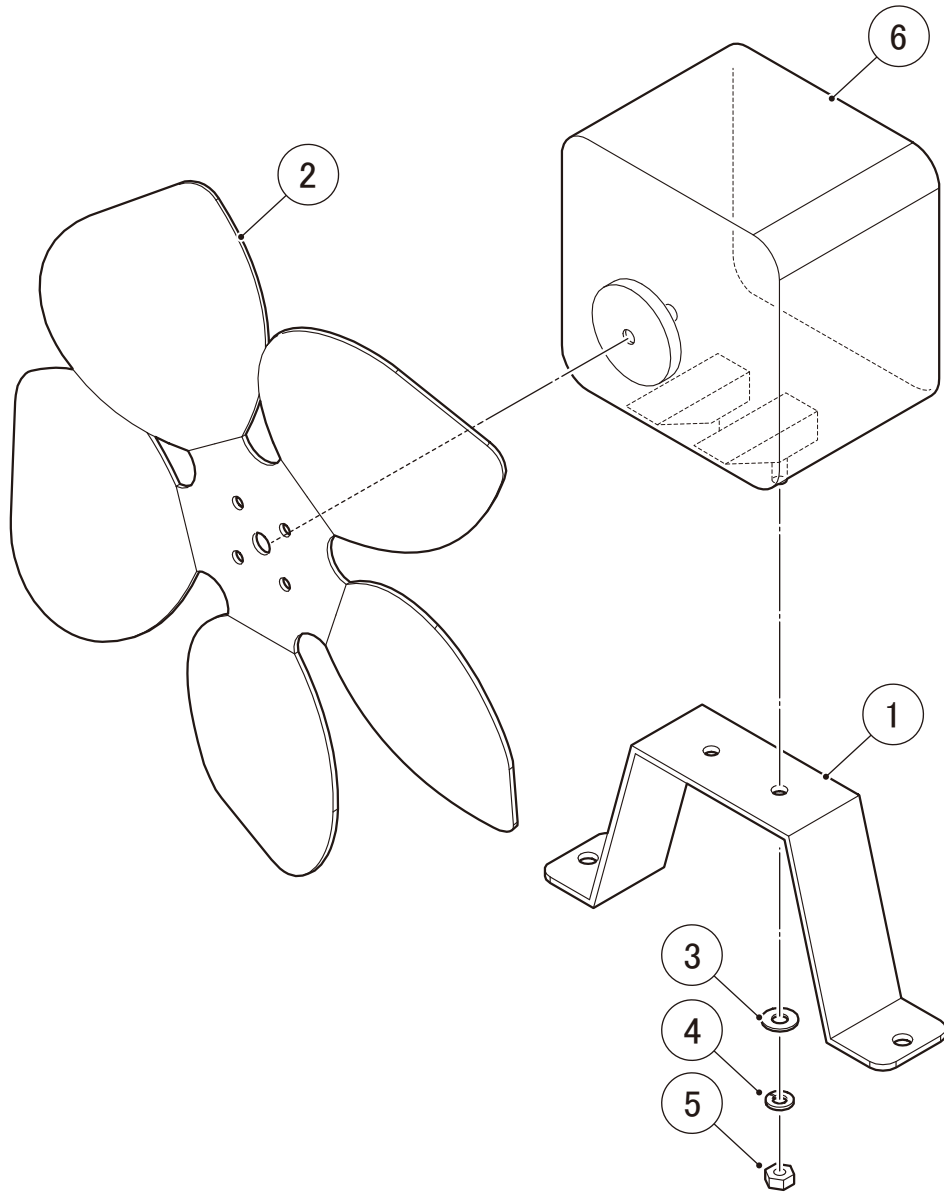
INDEX NO.	DESCRIPTION	MATERIAL OR MODEL NUMBER	PART NUMBER	REQ'D NUMBER						
				Q-1 and later						
1	DOOR - INSULATION		1C1062G04	1						
2	DOOR GASKET		2R5297G06	1						
3	DOOR STOPPER		454210-01	1						
4	FLAT HEAD TAPPING SCREW (S-TITE)		FTF0512M0	2						
5	HOLE PLUG		463980-01	2						
6	DOOR STOPPER		4C0673P01	1						
7	TRUSS HEAD SCREW		FST0408S0	2						



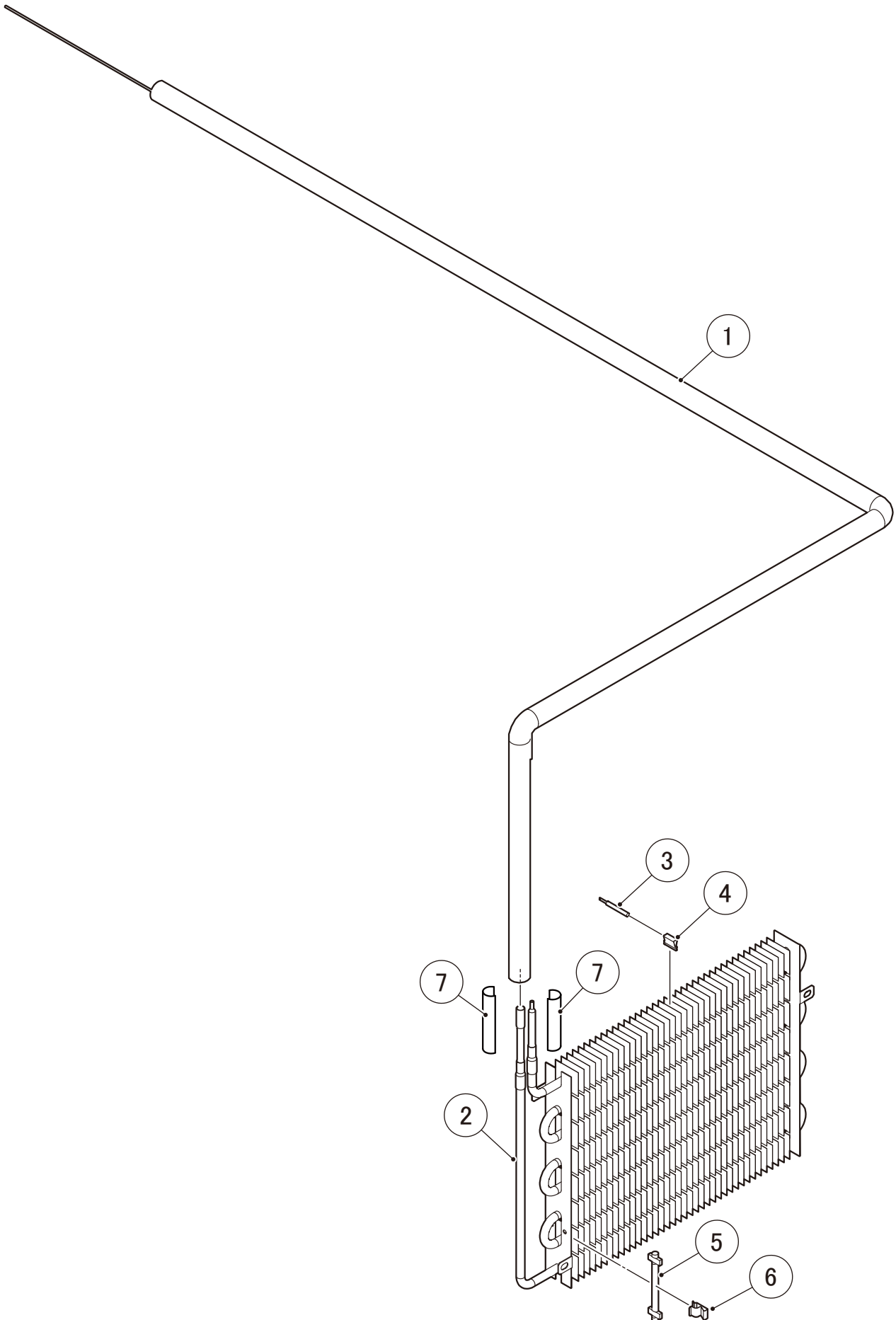
MODEL: **RFT-186MC-S**

TITLE: **J. DOOR L, ASSY**

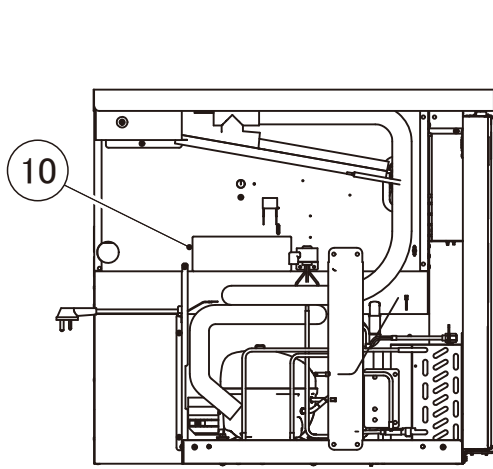
INDEX NO.	DESCRIPTION	MATERIAL OR MODEL NUMBER	PART NUMBER	REQ'D NUMBER						
				Q-1 and later						
1	DOOR - INSULATION	276593A10	1C1062G03	1						
2	DOOR GASKET		2R5297G03	1						
3	DOOR STOPPER		454210-01	1						
4	FLAT HEAD TAPPING SCREW (S-TITE)		FTF0512M0	2						
5	HOLE PLUG		463980-01	2						
6	DOOR - INSULATION	276593A11	1C1062G04	1						
7	DOOR GASKET		2R5297G06	1						
8	DOOR STOPPER		4C0673P01	1						
9	FLAT HEAD MACHINE SCREW		FSF0408S0	2						



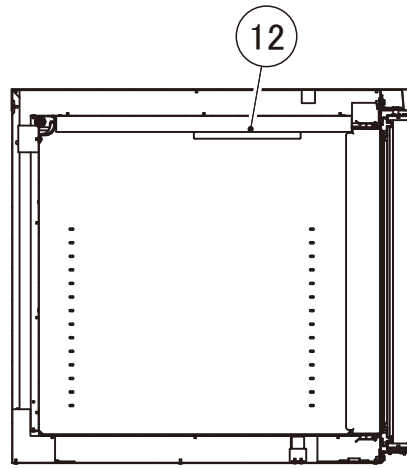




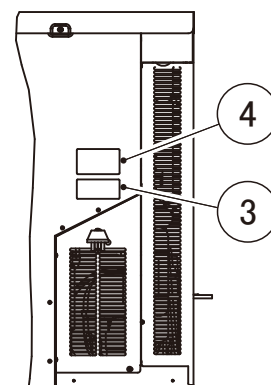
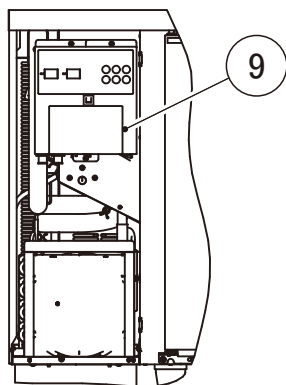
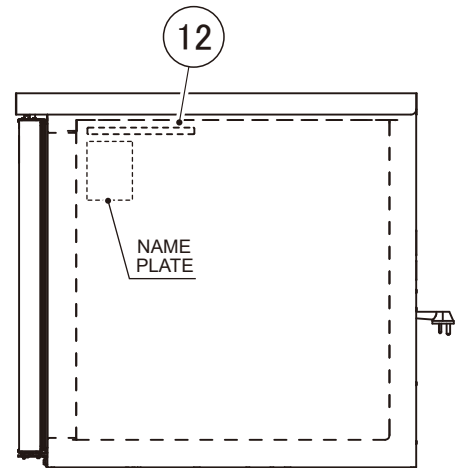
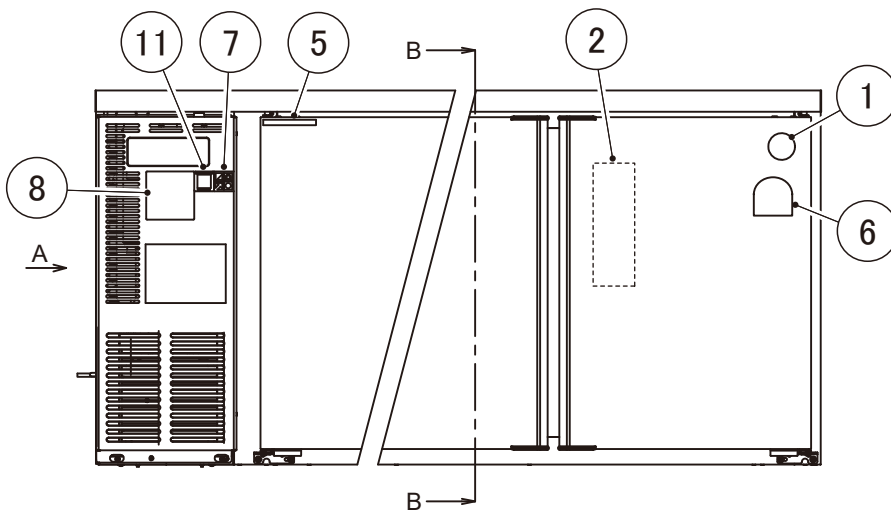




A inside



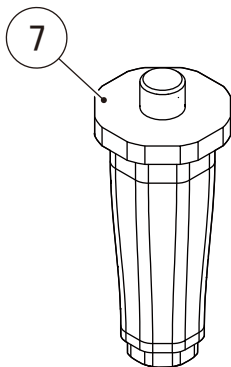
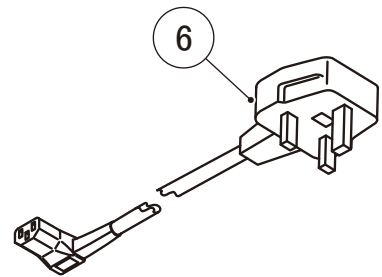
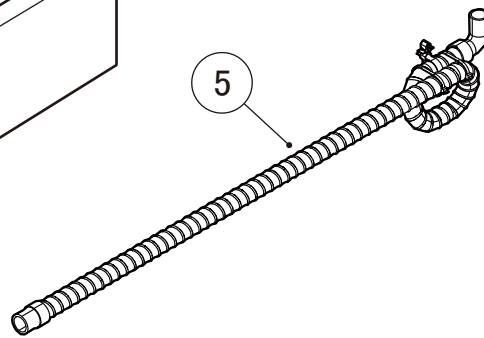
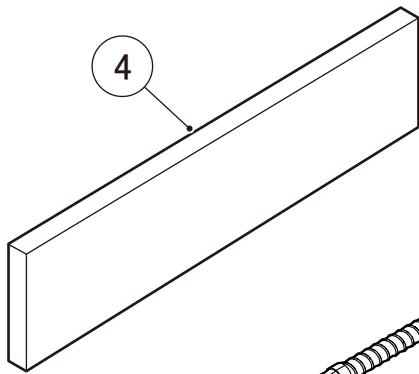
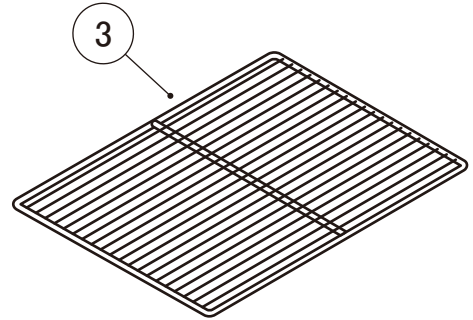
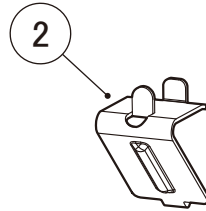
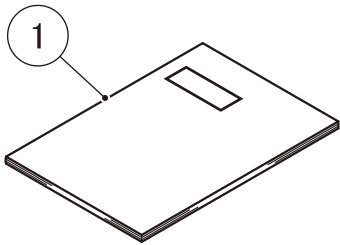
B-B



MODEL: RFT-186MC-S

TITLE: M. LABEL LOCATION

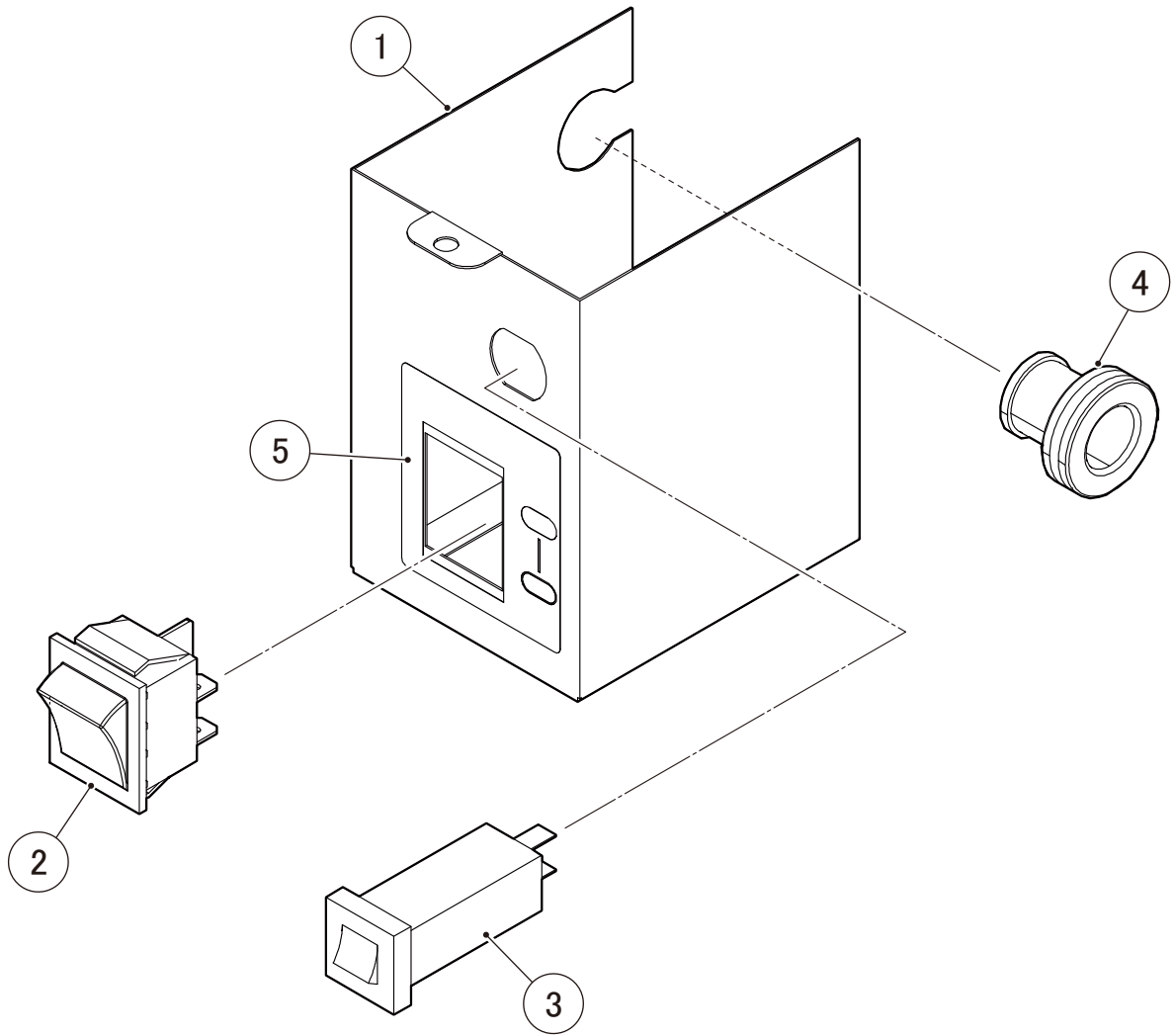
INDEX NO.	DESCRIPTION	MATERIAL OR MODEL NUMBER	PART NUMBER	REQ'D NUMBER						
				Q-1 and later						
1	CHARACTER LABEL - PENGUIN		475552L01	1						
2	INSTRUCTION LABEL		375667L01	1						
3	PL LABEL - ELECTRIC SHOCK		474438L01	1						
4	CAUTION LABEL/CYCLOPENTANE		381437L01	1						
5	LABEL-FREEZER		447056-01	1						
6	LABEL-ENERGY		2C2323L03	1						
7	LABEL - HACCP		476519L01	1						
8	LABEL - ADVISORY		399626L01	1						
9	CAUTION LABEL - FIRE A		3J0417L01	1						
10	CAUTION LABEL - FIRE B		3J0418L01	1						
11	LABEL QR-CODE		491998L01	1						
12	LABEL - LOAD LIMIT		482995L01	2						



MODEL: **RFT-186MC-S**

TITLE: **N. ACCESSORIES**

INDEX NO.	DESCRIPTION	MATERIAL OR MODEL NUMBER	PART NUMBER	REQ'D NUMBER							
				Q-1 and later							
1	INSTRUCTION MANUAL		L1S174***	1							
2	CLIP-SHELF		428957-01	24							
3	SHELF J		3S3016G09	6							
4	PROTECTOR		4R5783P01	2							
5	FLEXIBLE HOSE - TRAP		4R6923A01	1							
6	POWER CORD		P02795-01	1							
7	LEG		P05012-01	4							



MODEL: **RFT-186MC-S**

TITLE: **P. SWITCH BOX ASSY**

INDEX NO.	DESCRIPTION	MATERIAL OR MODEL NUMBER	PART NUMBER	REQ'D NUMBER						
				Q-1 and later						
1	SWITCH BOX		2C2325G01	1						
2	POWER SWITCH		P04099-01	1						
3	PROTECTOR		440972-01	1						
4	GROMMET		4H2568-02	1						
5	LABEL - SWITCH		480454L01	1						